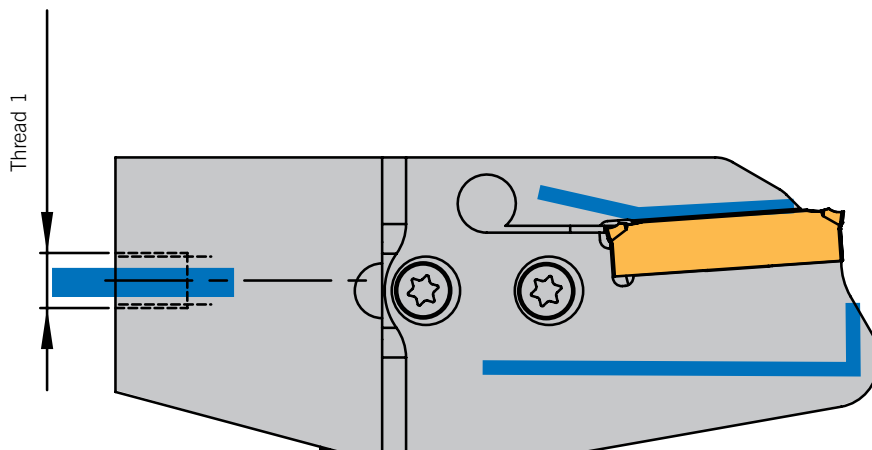


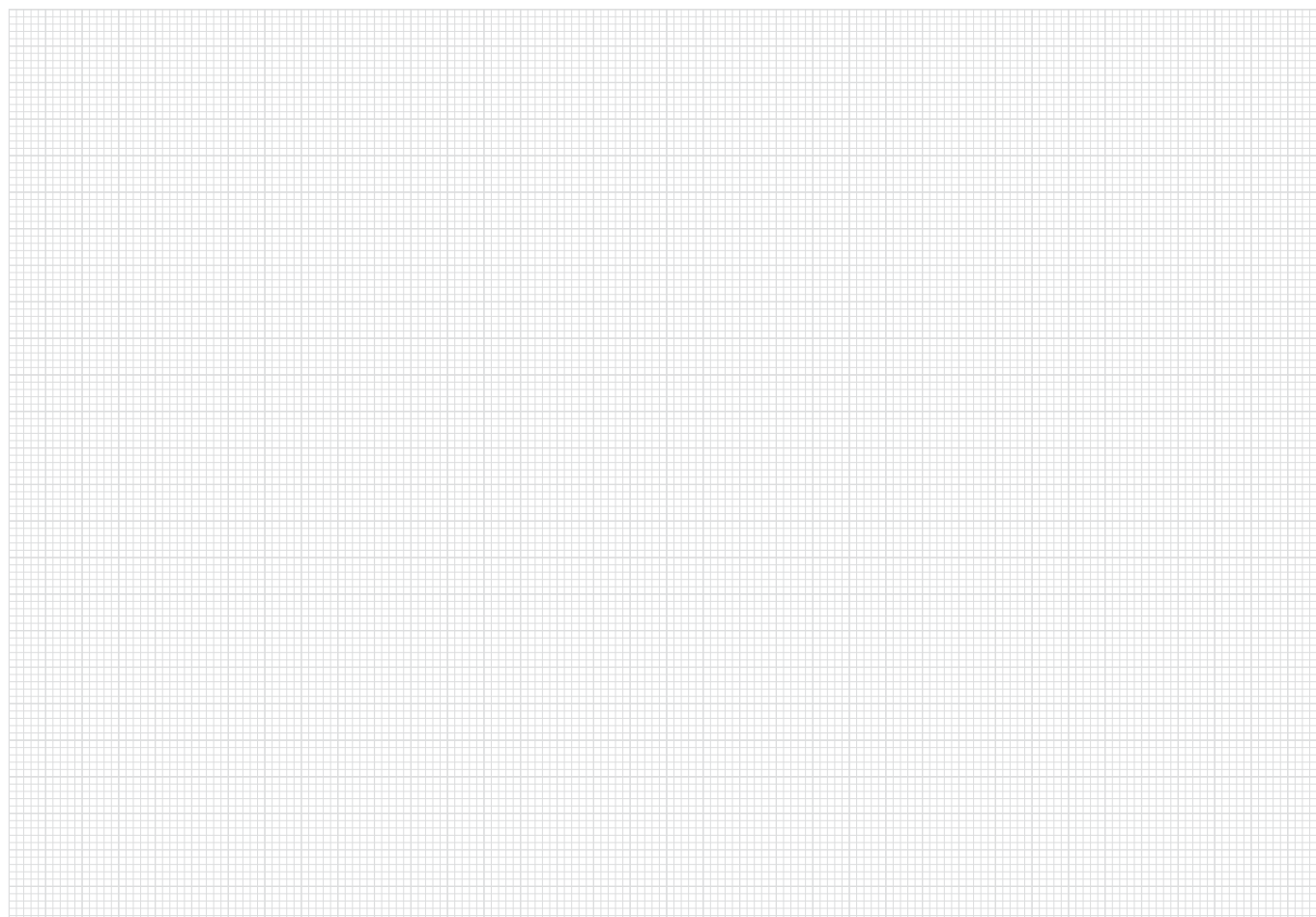
Holder HSA-7 with internal coolant ACS from the back



This tool we produce to the price of the standard tool.

From holder

Thread 1





Please complete and return this form to fax number: +49 (0)711 34802130. You can also e-mail the details to: anfrage@arno.de

Address: customer number [comm.]:
company:
address:
contact person:
section:
e-mail:
phone:



For further information please ask for our complete catalogue.

Karl-Heinz Arnold GmbH
Karlsbader Str. 4
D-73760 Ostfildern
Tel.: +49 (0)711 34 802 0
Fax: +49 (0)711 34 802 130
bestellung@arno.de
anfrage@arno.de
www.arno.de

ARNO (UK) Limited | Unit 9, 10 & 11, Sugnall Business Centre | Sugnall, Eccleshall | Staffordshire | ST21 6NF
☎ +44 01785 850 072 | ☎ +44 01785 850 076 | sales@arno.de | www.arno-tools.co.uk

ARNO Italia S.r.l | Via J.F. Kennedy 19 | 20871 Vimercate (MB)
☎ +39 039 68 52 101 | ☎ +39 039 60 83 724 | info@arno-italia.it | www.arno-italia.it

ARNO-Werkzeuge USA LLC | 1101 W. Diggins St. | US-60033 Harvard, Illinois
☎ +1 815 943 4426 | ☎ +1 815 943 7156 | info@amoussa.com | www.amoussa.com

ARNO RU Ltd. | Krassnaja Ul. 38 | RU-600015 Vladimir
☎ / ☎ +7 4922 541125 | ☎ +7 4922 541135 | info@arnoru.ru | www.arnoru.ru

ARNO Werkzeuge S.E.A. PTE. LTD. | 25 International Business Park | #04 - 70A German Center | SG-609916 Singapore
☎ +65 65130779 | ☎ +65 68970042 | info@arno.com.sg | www.arno.com.sg