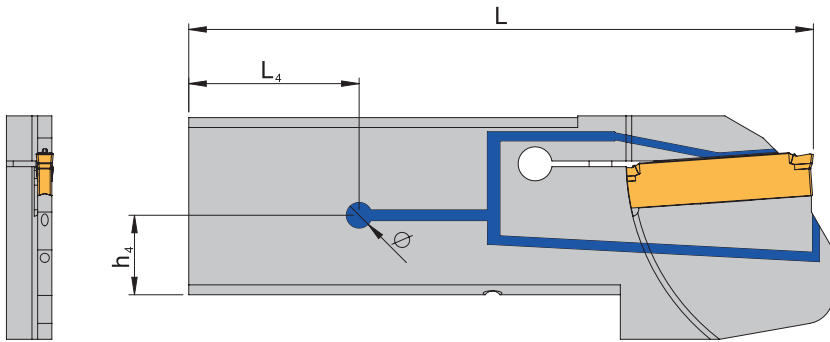


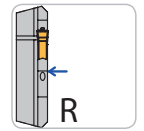
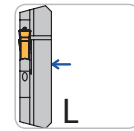
Blanks / Part-off blades with ACS2



Normal assembly



Right-hand execution shown.



Price on request.

Made of blade H-KSA-...-ACS2

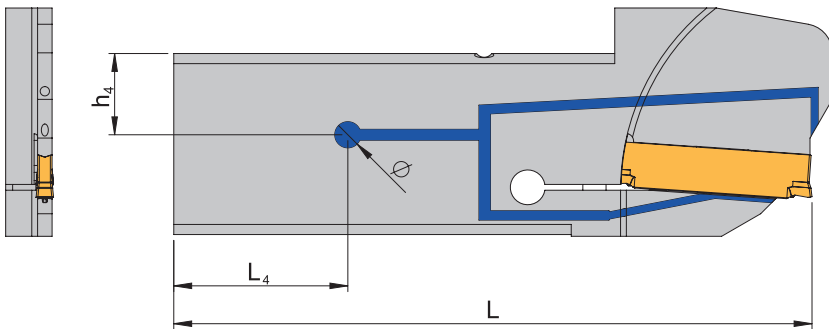
L      L<sub>4</sub>      h<sub>4</sub>      Ø

<input type="text"/>	<input type="text"/>	<input type="text"/>	<input type="text"/>
----------------------	----------------------	----------------------	----------------------

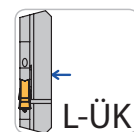
Blade holder / Designation:

Machine / Type:

Upside down assembly



Right-hand execution shown.



Price on request.

Made of blade H-KSA-...-ACS2

L      L<sub>4</sub>      h<sub>4</sub>      Ø

<input type="text"/>	<input type="text"/>	<input type="text"/>	<input type="text"/>
----------------------	----------------------	----------------------	----------------------

Blade holder / Designation:

Machine / Type: