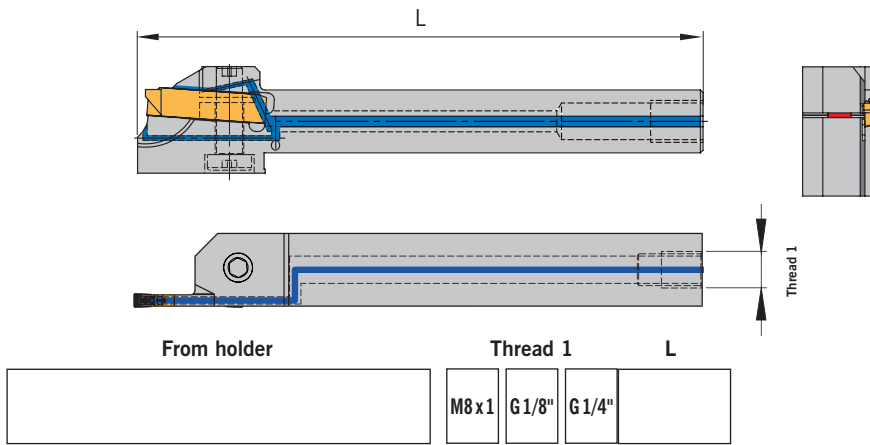
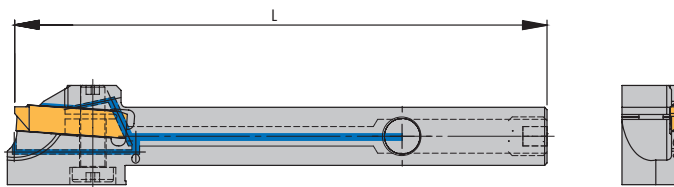


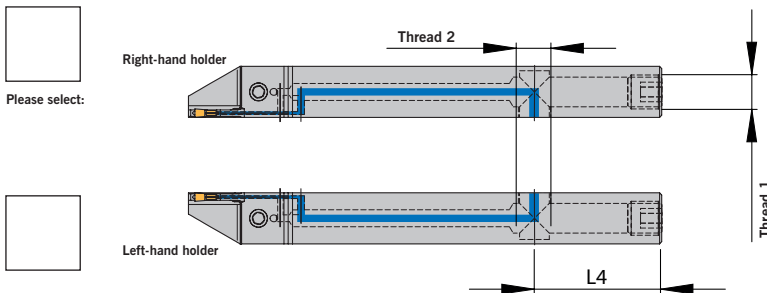
Monoblock holder with through tool coolant access from the back and locking from top and bottom



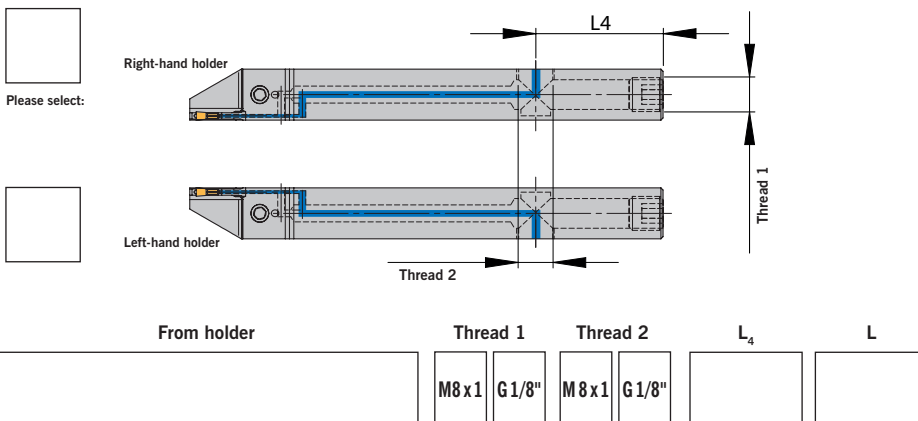
Monoblock holder with through tool coolant access from the side and locking from top and bottom



**Design S1.** – Thread 2 is on the same side as the cutting edge  
– Locking from top and bottom



**Design S1G.** – Thread 2 is on the opposite side of the cutting edge  
– Locking from top and bottom



Download this form from: [www.arno.de/service/downloads](http://www.arno.de/service/downloads)



1

This tool we produce to the price of the standard tool.